

Product data sheet

Characteristics

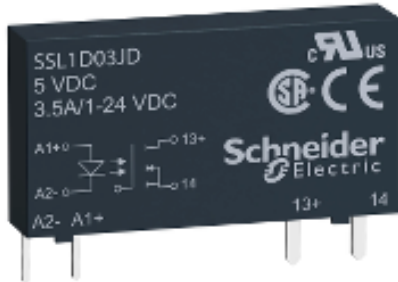
SSL1D03BD

Harmony, Solid state slim relay, 3.5 A, DC switching, input 15...30 V DC, output 1...24 V DC



Product availability: Non-Stock - Not normally stocked in distribution facility

Price*: 19.50 USD



Main

Range of Product	Harmony Solid State Relays
Product or Component Type	Solid state relay up to 10 A
Device short name	SSL
Phase	1 phase
Output switching mode	DC switching

Complementary

Mounting Support	Socket
Line Rated Current	3.5 A
Output voltage	1...24 V DC
[Uc] control circuit voltage	15...30 V DC
Capacitance unbalance	1.5 PF input/output
Minimum switching voltage	15 V DC turn-on
Maximum switching voltage	10 V DC turn-off
Input current limits	7 MA
Input impedance	3500 Ohm
Solid state output type	Mosfet output DC switching
Load current	0.001...3.5 A
Absolute maximum voltage	30 V DC
Maximum operating frequency	500 Hz
Surge current	9 A 10 ms
Maximum voltage drop	<0.5 V on-state
Maximum leakage current	0.001 MA off-state
Response time	0.35 ms (turn-on) 0.08 ms (turn-off)
Overvoltage category	III
Maximum Width	0.20 In (5 mm)
Maximum Height	1.10 In (28 mm)

Maximum Depth	0.59 In (15 mm)
Net Weight	0.01 Lb(US) (0.0041 kg)

Environment

Flame retardance	V0 conforming to UL 94
Dielectric strength	2500 V for input/output
Pollution degree	2
Product Certifications	UL CSA
Marking	CE
Ambient Air Temperature for Operation	-4...176 °F (-20...80 °C)
Ambient Air Temperature for Storage	-4...185 °F (-20...85 °C)

Ordering and shipping details

Category	22375 - INTERFACE MODULE(ABA,R,S)
Discount Schedule	CP2
GTIN	00785901968290
Nbr. of units in pkg.	1
Package weight(Lbs)	1 Lb(US) (0.45 kg)
Returnability	Yes
Country of origin	MX

Packing Units

Unit Type of Package 1	PCE
Package 1 Height	0.59 In (1.5 cm)
Package 1 width	0.20 In (0.5 cm)
Package 1 Length	1.10 In (2.8 cm)
Unit Type of Package 2	BB1
Number of Units in Package 2	12
Package 2 Weight	2.26 Oz (64 g)
Package 2 Height	0.28 In (0.7 cm)
Package 2 width	0.98 In (2.5 cm)
Package 2 Length	14.57 In (37 cm)
Unit Type of Package 3	S01
Number of Units in Package 3	1080
Package 3 Weight	13.19 Lb(US) (5.985 kg)
Package 3 Height	5.91 In (15 cm)
Package 3 width	5.91 In (15 cm)
Package 3 Length	15.75 In (40 cm)

Offer Sustainability

Sustainable offer status	Green Premium product
California proposition 65	WARNING: This product can expose you to chemicals including: Lead and lead compounds, which is known to the State of California to cause cancer and birth defects or other reproductive harm. For more information go to www.P65Warnings.ca.gov
REACH Regulation	REACH Declaration
EU RoHS Directive	Pro-active compliance (Product out of EU RoHS legal scope) EU RoHS Declaration
Mercury free	Yes
RoHS exemption information	Yes
China RoHS Regulation	China RoHS Declaration

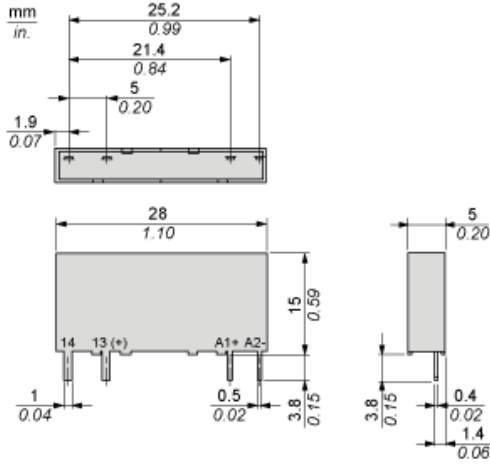
Environmental Disclosure

 [Product Environmental Profile](#)

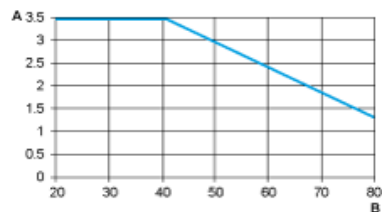
Circularity Profile

 [End Of Life Information](#)

Dimensions



Derating Curves



A : Load Current (Amperes)
B : Ambient Temperature (°C)

Product Life Status : Commercialised
